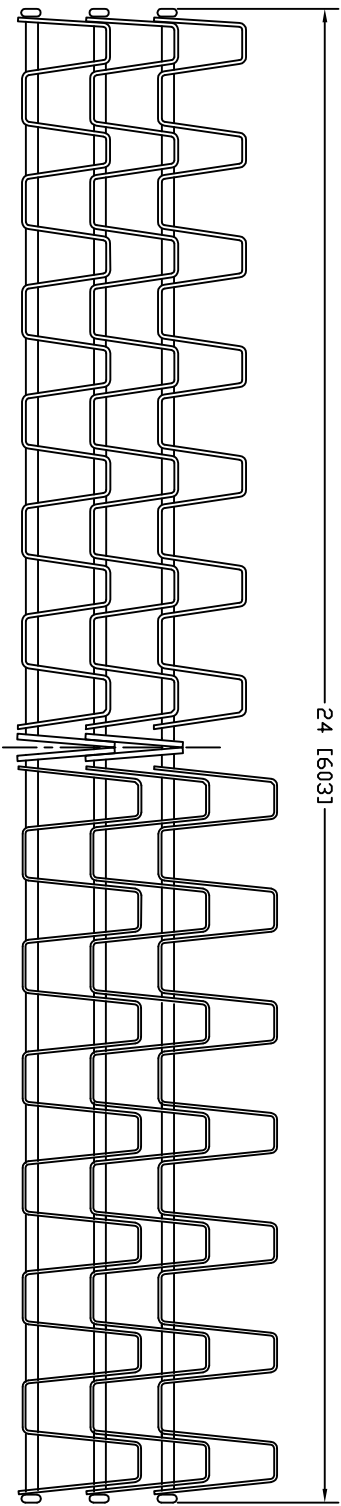


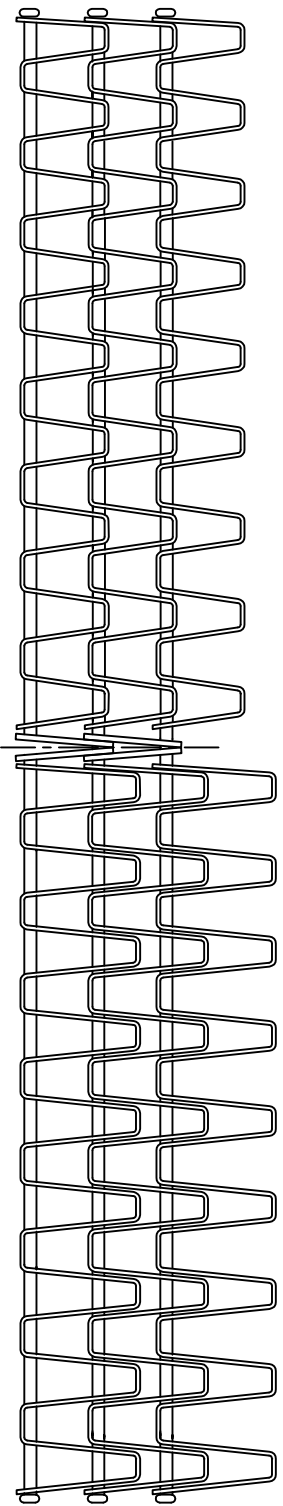
REV / DATE	REV APPROVAL	REV REVISIONS
A		ORIGINAL DRAWING



1 X 1

G1

1 X 1 1/2



1/2 X 1

G3

1/2 X 1 1/2



DIMENSIONS IN INCHES (mm)		DATE	
REV. NO.	DATE	REV. NO.	DATE
00000000	000000	000000	000000
<b>ASHWORTH BROS., INC.</b> 4000 W. 10th St., Ashworth, W. Va.		<b>ILLUSTRATION</b> DNIFLEX G1 & G3 24" WIDE 29 D 4383 A	