



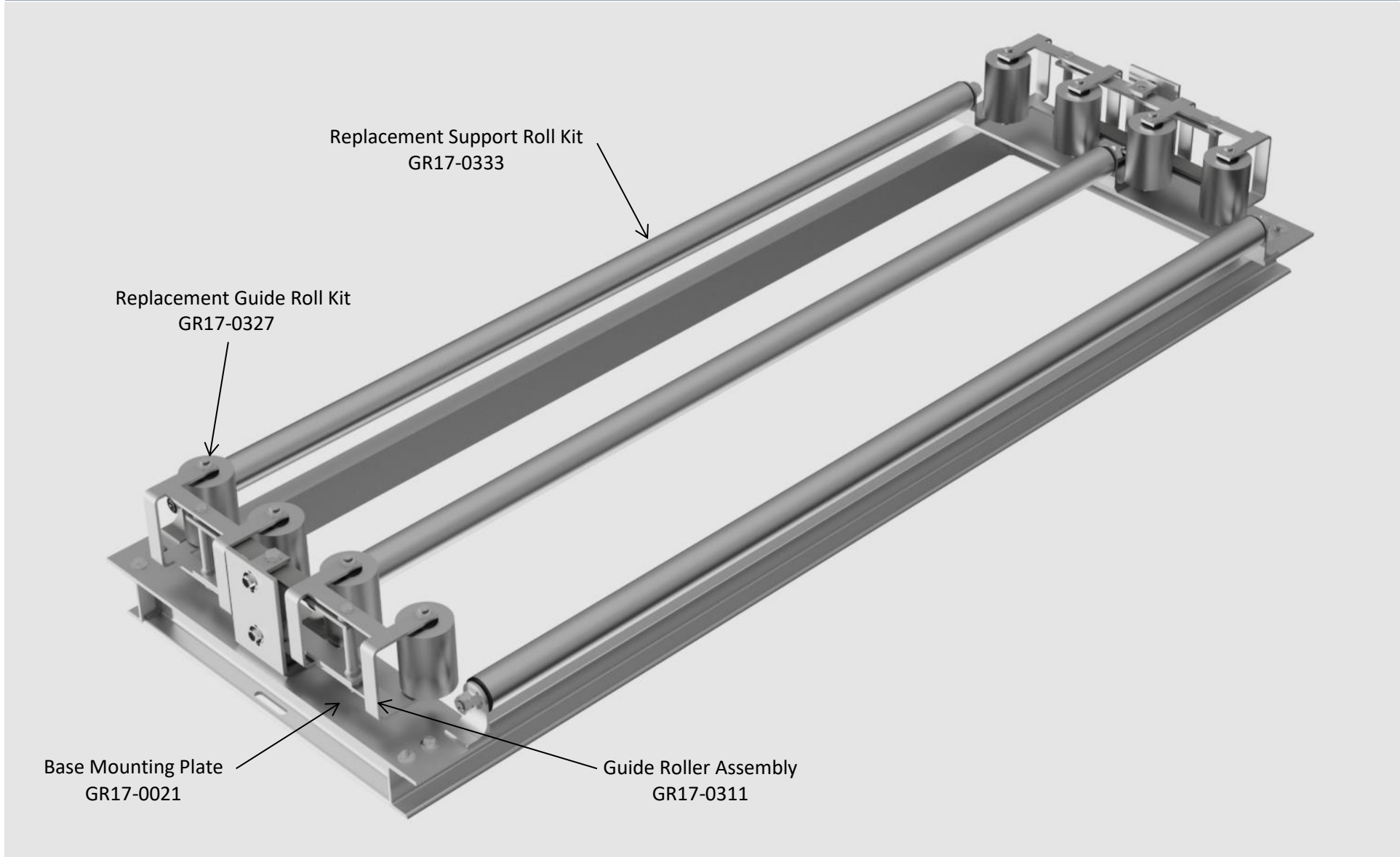
ASHWORTH ENGINEERING

Committed to on-time delivery of defect-free products and services, fit for use, exactly as promised, every time.

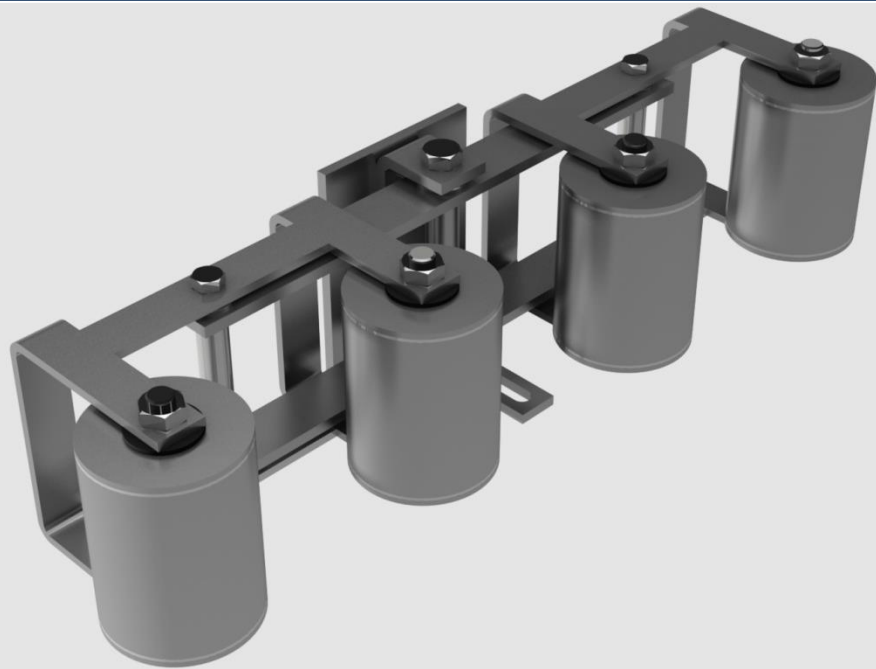


Control Systems Replacement Parts Catalog

Model No. 1 Control Zero Wear Bearing



GR17-0311 Guide Roller Assembly (Model 1, Zero Wear Bearing)



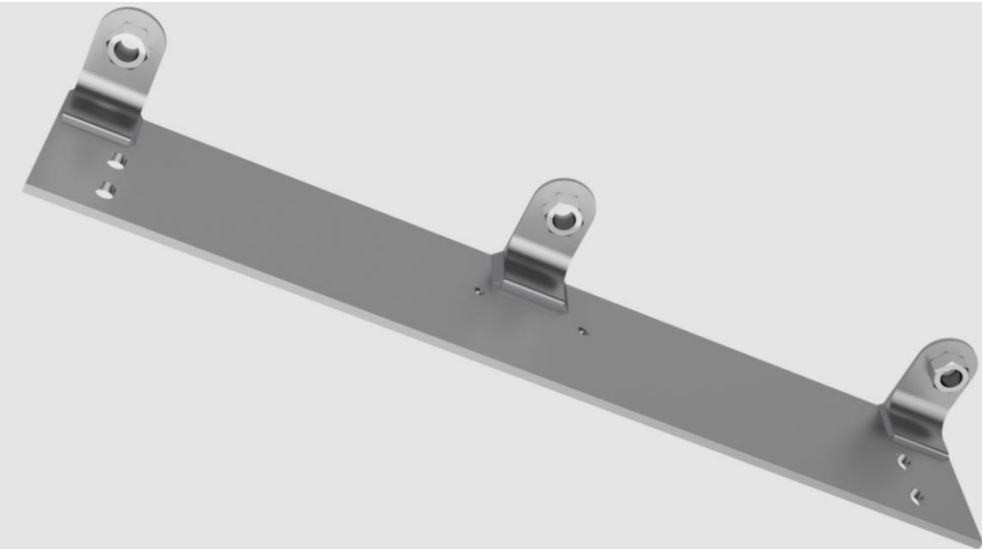
Description:

1 Complete Guide Roller Assembly for Model 1 Control. Each Model 1 Control Uses 2.

Assembly:

Mounts to Base Mounting Plate. Requires 2 Ea 3/8-16 x 3/4 inch Hex Cap Screws and 2 Ea 3/8 inch Flat Washers.

GR17-0021: Base Mounting Plate (Model 1, Zero Wear Bearing)



Description:

Base Mounting Plate for Model 1 Control. Each Model 1 Control Uses 2.

Assembly:

Mounts to Frame using 4 Ea 3/8-16 x 3/4 inch Hex Cap Screws and 4 Ea 3/8 inch Flat Washers.

GR17-0327 Replacement Guide Roll Kit (Model 1, Zero Wear Bearing)



Includes:
Roller
Bearings
Bearing Shafts (PN GR17-0033)
Nuts

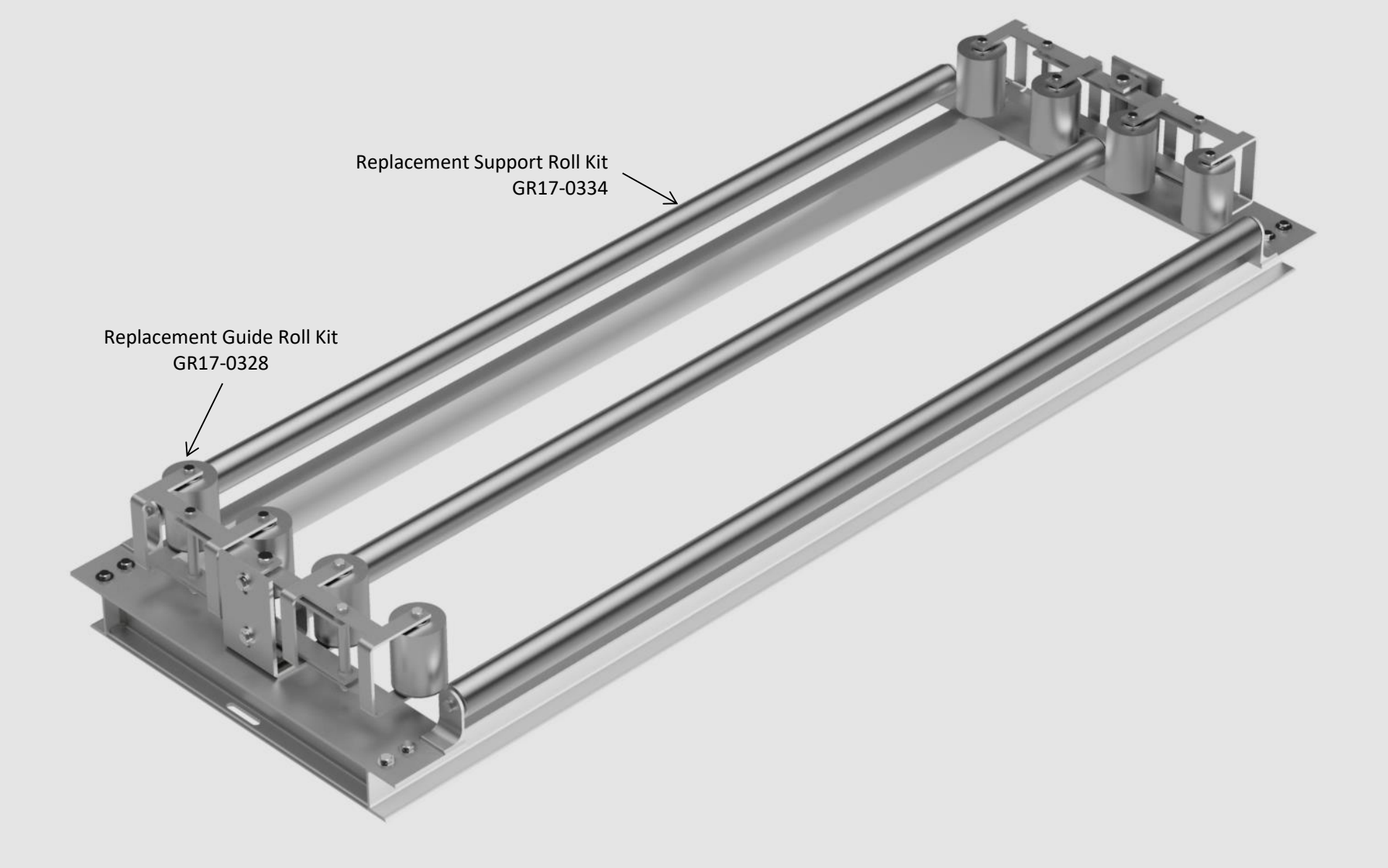
GR17-0333: Replacement Support Roll Kit (Model 1, Zero Wear Bearing)



Includes:
Roller
Bearings
Support Roll Bearing Shafts (PN GR17-0040)
Nuts

*** Belt Width Required Prior to Placing Order

Model No. 1 Control Plain Steel Bearings

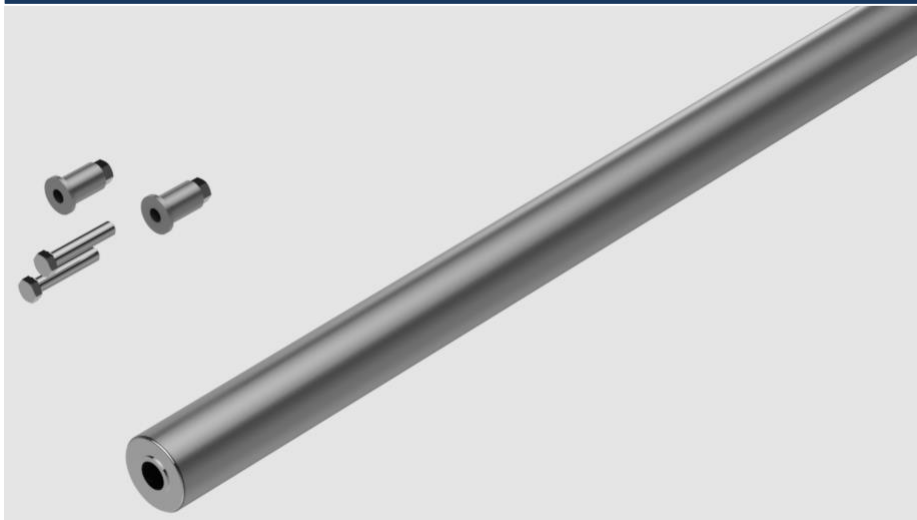


GR17-0328 Replacement Guide Roll Kit (Model 1, Plain Steel Bearing)



Includes:
Roller
Bearings
Bolt
Nut

GR17-0334 Replacement Support Roll Kit (Model 1, Plain Steel Bearing)

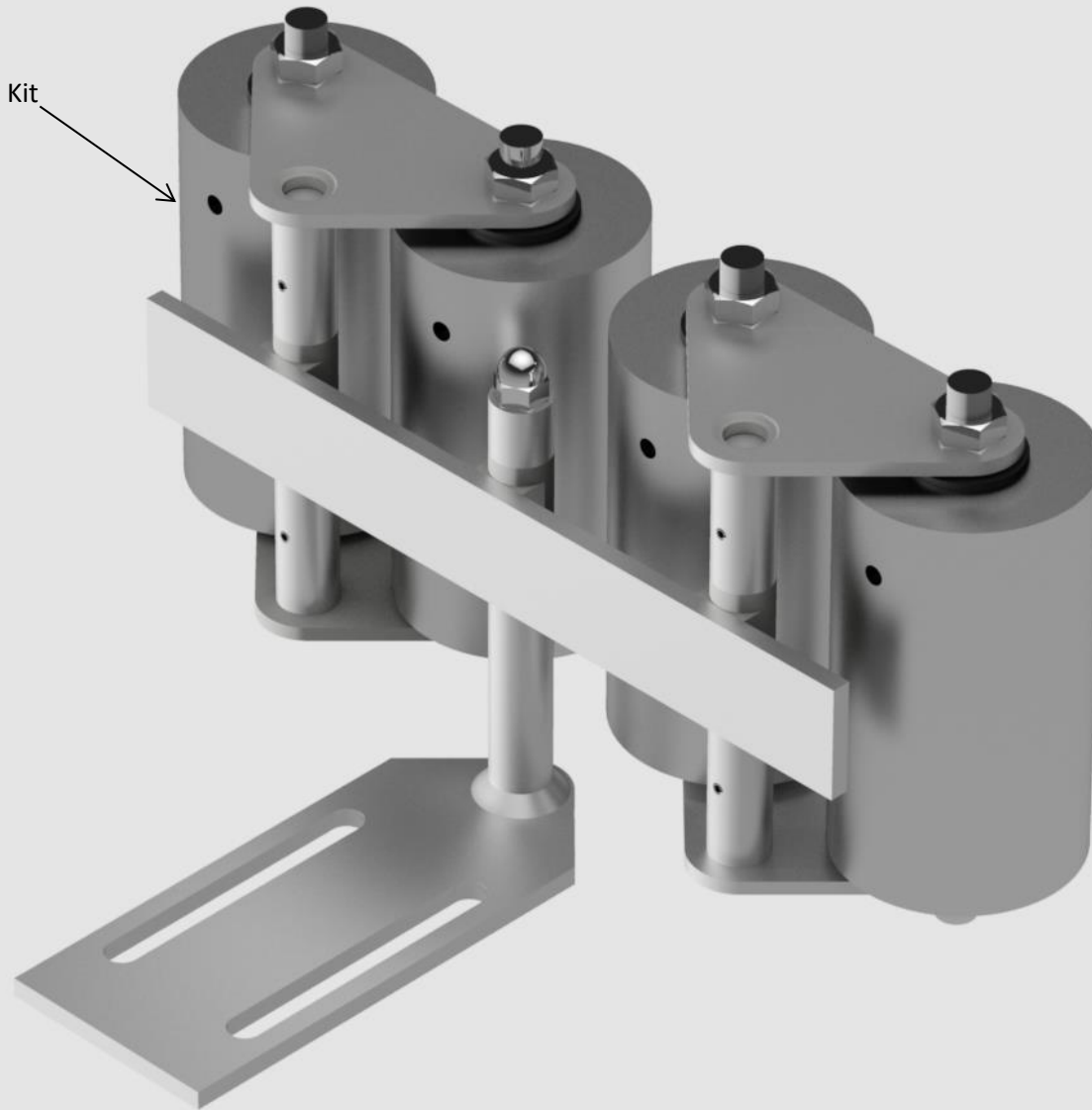


Includes:
Roller
Bearings
Bolts
Stub Shafts
Nuts

***Belt Width Required Prior to Placing Order

Model No. 2 Control Zero Wear Bearings

Replacement Guide Roll Kit
GR17-0329

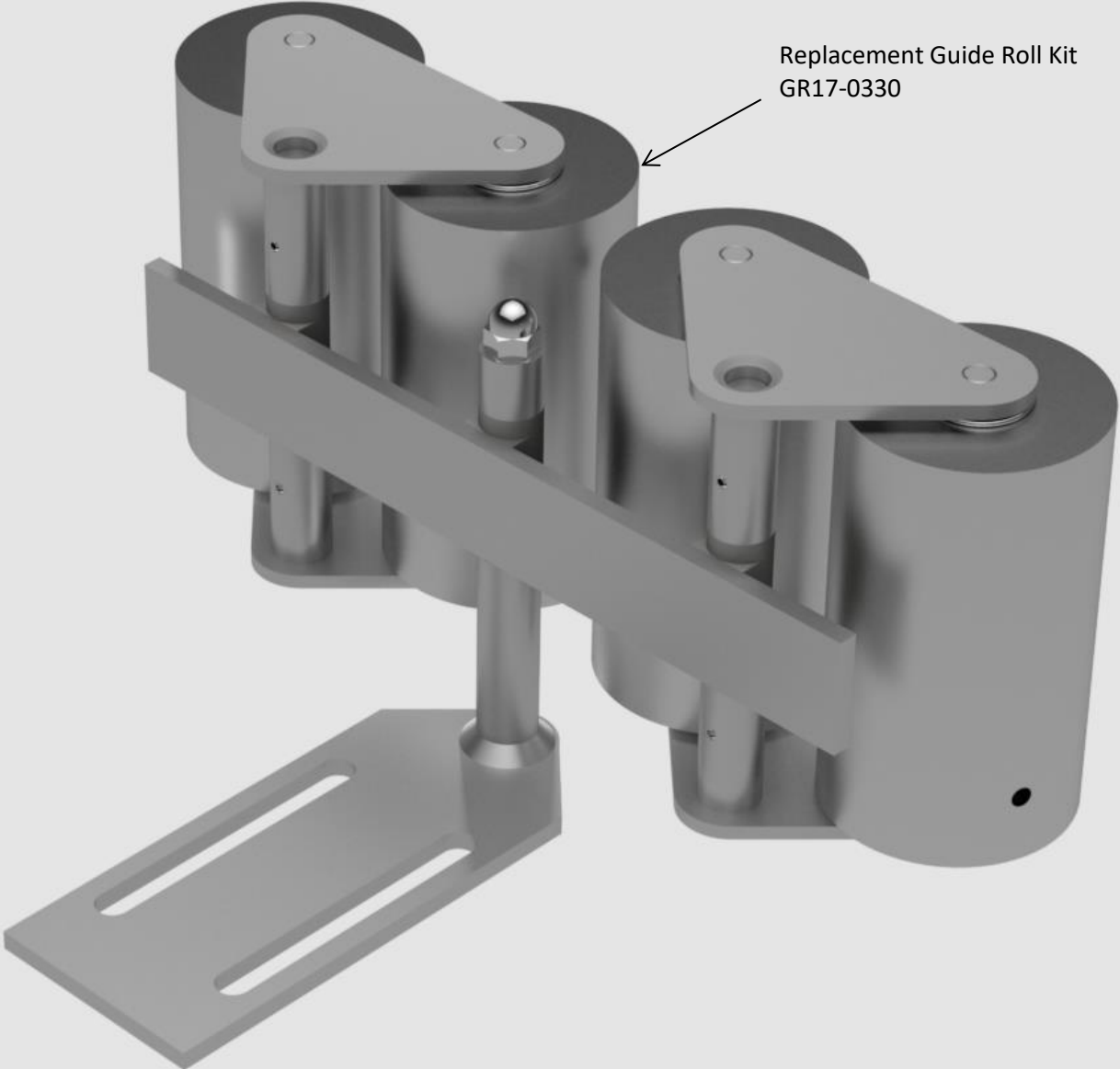


GR17-0329 Replacement Guide Roll Kit (Model 2, Zero Wear Bearing)



Includes:
Roller
Bearings
Bearing Shafts (PN GR17-0033)
Nuts

Model No. 2 Control Plain Steel Bearings



GR17-0330 Replacement Guide Roll Kit (Model 2, Plain Steel Bearing)



Includes:
Roller
Bearings

Copyright © Ashworth Bros., Inc. - All rights reserved. This document may not be reproduced in whole or in part without the express written consent of Ashworth Bros., Inc.

Ashworth Bros., Inc. provides this information only as a service to our customers and does not warrant the accuracy or applicability of the information contained herein.

Ashworth BV
Amsterdam, The Netherlands
Tel: +31.20.581.3220
Fax: +31.20.581.3229
Email: ashworth@ashworth.nl

Ashworth Bros., Inc.
Winchester, VA U.S.A.
Phone: 540-662-3494
Fax: 800-532-1730
Email: Ashworth@Ashworth.com
Website: www.Ashworth.com

Ashworth Europe Ltd.
West Midlands, United Kingdom
Tel: +44.1384.355000
Fax: +44.1384.355001
Email: ashworth@ashwortheurope.co.uk