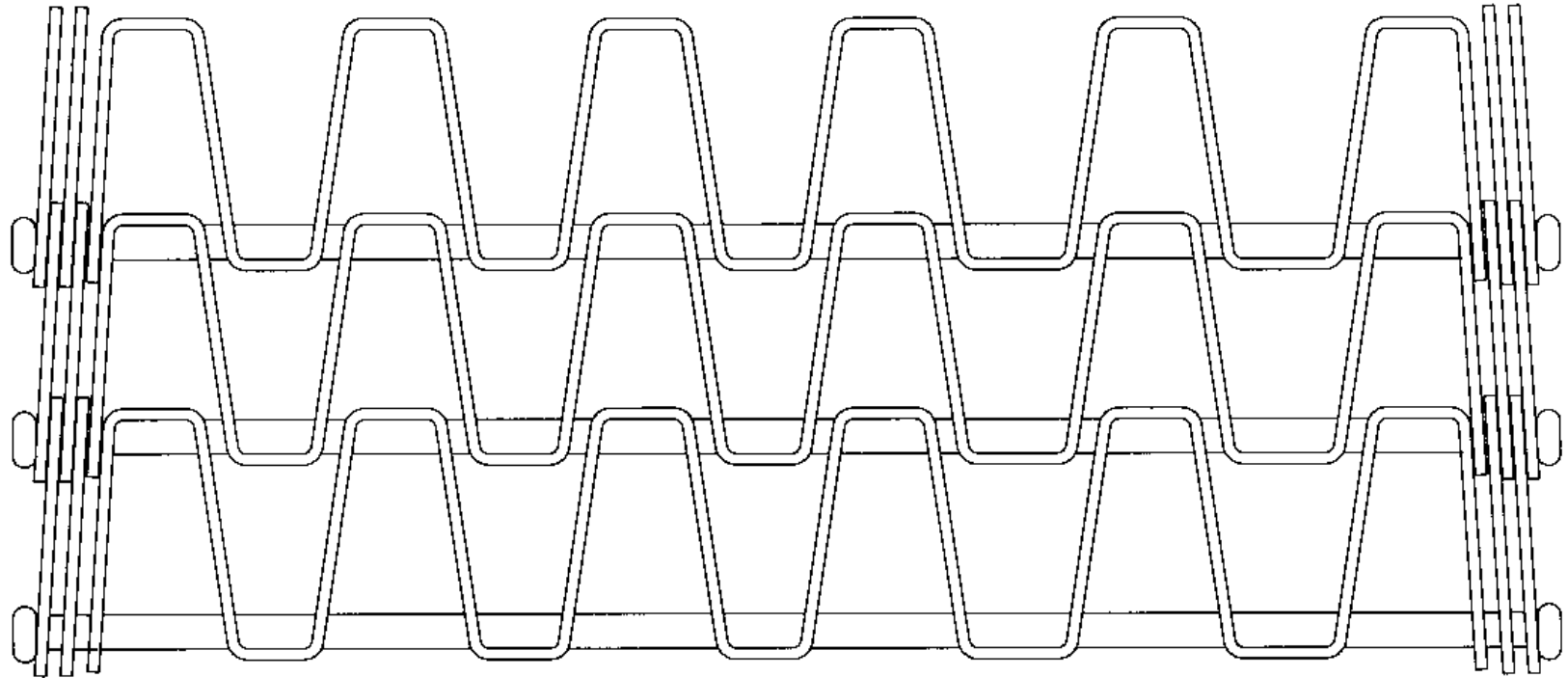


REV	REV / DATE	ENG APP/DATE	MFG APP/DATE	REVISIONS
A				ORIGINAL DRAWING




 DIMENSIONS IN  
 INCHES [mm]

TOLERANCE UNLESS OTHERWISE SPECIFIED

	INCHES	EQUIV mm
DEC .X	±.03	[0.8]
.XX	±.015	[0.38]
.XXX	±.005	[0.13]
.XXXX±.0005		[0.013]

FRACTION  
 INCHES EQUIV mm  
 ±1/16 [1.6]  
 ANGLE ±1/2°

SCALE	FULL
DRAWN / DATE	SZ 7/16/96
ENG APP / DATE	8/27/96 <sup>27</sup>
MANU APP / DATE	8/27/96

**UNCONTROLLED COPY**  
**ASHWORTH BROS. INC.**  
 FOR MANUFACTURE OR PURCHASE

ILLUSTRATION, OMNIFLEX  
 E2 1/2 X 1, WITH DB LINKS

THIS DRAWING CONTAINS CONFIDENTIAL INFORMATION  
 AND TRADE SECRETS OF ASHWORTH BROS., INC. IT MAY  
 NOT BE REPRODUCED IN WHOLE OR IN PART, OR USED  
 FOR THE BENEFIT OF ANYONE OTHER THAN ASHWORTH  
 BROS., INC. NO RIGHT IS GRANTED TO DISCLOSE  
 OR USE ANY INFORMATION SHOWN IN THIS DRAWING

DRAWING NUMBER  
 29 A 4348

REV  
 A