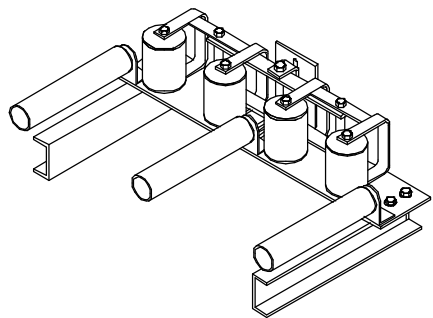
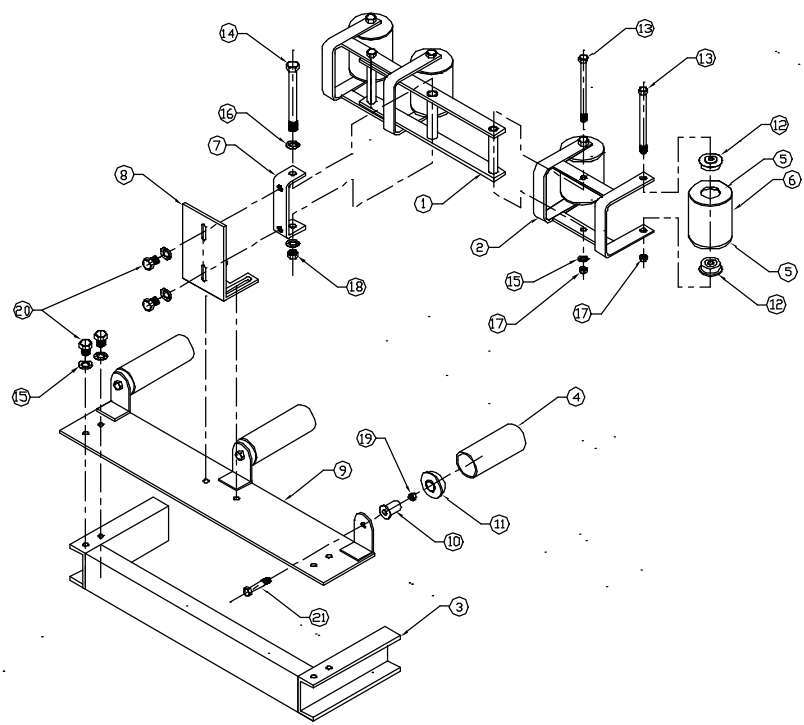


REV	BY / DATE	CHK	ISSUED	REVISED
A				



01	6	ROLL. 3/8-36 HEX HD 2 LG.
02	16	ROLL. 3/8-36 HEX HD. 3/4 LG.
03	6	NUT, HEX 3/8-36
04	6	PREMIER LOCK NUT 1/2-28
17	12	PREMIER LOCK NUT 3/8-36
18	18	WASHER, 1/2" ID. x 1" O.D. x 3/32" THK.
20	20	WASHER, 7/16" ID. x 1" O.D. x 3/32" THK.
12	6	3/4" VCL. ROLL. 1/2" ID. x 3 3/8" LG. HEX HD.
14	12	AXLE ROLL. 3/8" - 16 x 5 1/4" LG. HEX HD.
15	18	GLASS ROLL BEARING, PL. STIL. MFC 10668
13	6	SUPPORT ROLL BEARING, PL. STIL. MFC 0994
11	6	17 - 0030 SUPPORT ROLL. STUB SHFT
9	8	77 - 0026 BRAC. WELDING PLATE
8	8	13 - 0027 DOUBLE TANGEN ANGLE SUPPORT
7	8	17 - 0028 DOUBLE TANGEN CLAMPING BRACKET
6	8	77 - 0029 GLASS ROLL
5	16	17 - 0028 GLASS ROLL. 1/2" DIA.
4	3	77 - 0024 SUPPORT ROLL
3	1	17 - 0028 FRAME
2	4	17 - 0021 TANGEN BRACKET
1	8	17 - 0021 DOUBLE TANGEN BRACKET
19	1	17 - 0021 TANGEN BRACKET
21	1	17 - 0021 TANGEN BRACKET
20	1	17 - 0021 TANGEN BRACKET
15	1	17 - 0021 TANGEN BRACKET
14	1	17 - 0021 TANGEN BRACKET
13	1	17 - 0021 TANGEN BRACKET
12	1	17 - 0021 TANGEN BRACKET
11	1	17 - 0021 TANGEN BRACKET
10	1	17 - 0021 TANGEN BRACKET
9	1	17 - 0021 TANGEN BRACKET
8	1	17 - 0021 TANGEN BRACKET
7	1	17 - 0021 TANGEN BRACKET
6	1	17 - 0021 TANGEN BRACKET
5	1	17 - 0021 TANGEN BRACKET
4	1	17 - 0021 TANGEN BRACKET
3	1	17 - 0021 TANGEN BRACKET
2	1	17 - 0021 TANGEN BRACKET
1	1	17 - 0021 TANGEN BRACKET

DIMENSIONS IN INCHES UNLESS OTHERWISE SPECIFIED  
 DEC 8 1999  
 000 4020  
 000 100000 ANGLE 15/8"

SHEET NO. 1 - 4  
 DATE 1/9/99  
 REV. 02/02/99  
 DATE 1/9/99

BILL OF MATERIAL  
**UNCONTROLLED COPY**  
**ASHWORTH BROS. INC.**  
 ILLUSTRATION  
 MODEL 1 CENTROL  
 19 - 4317 A